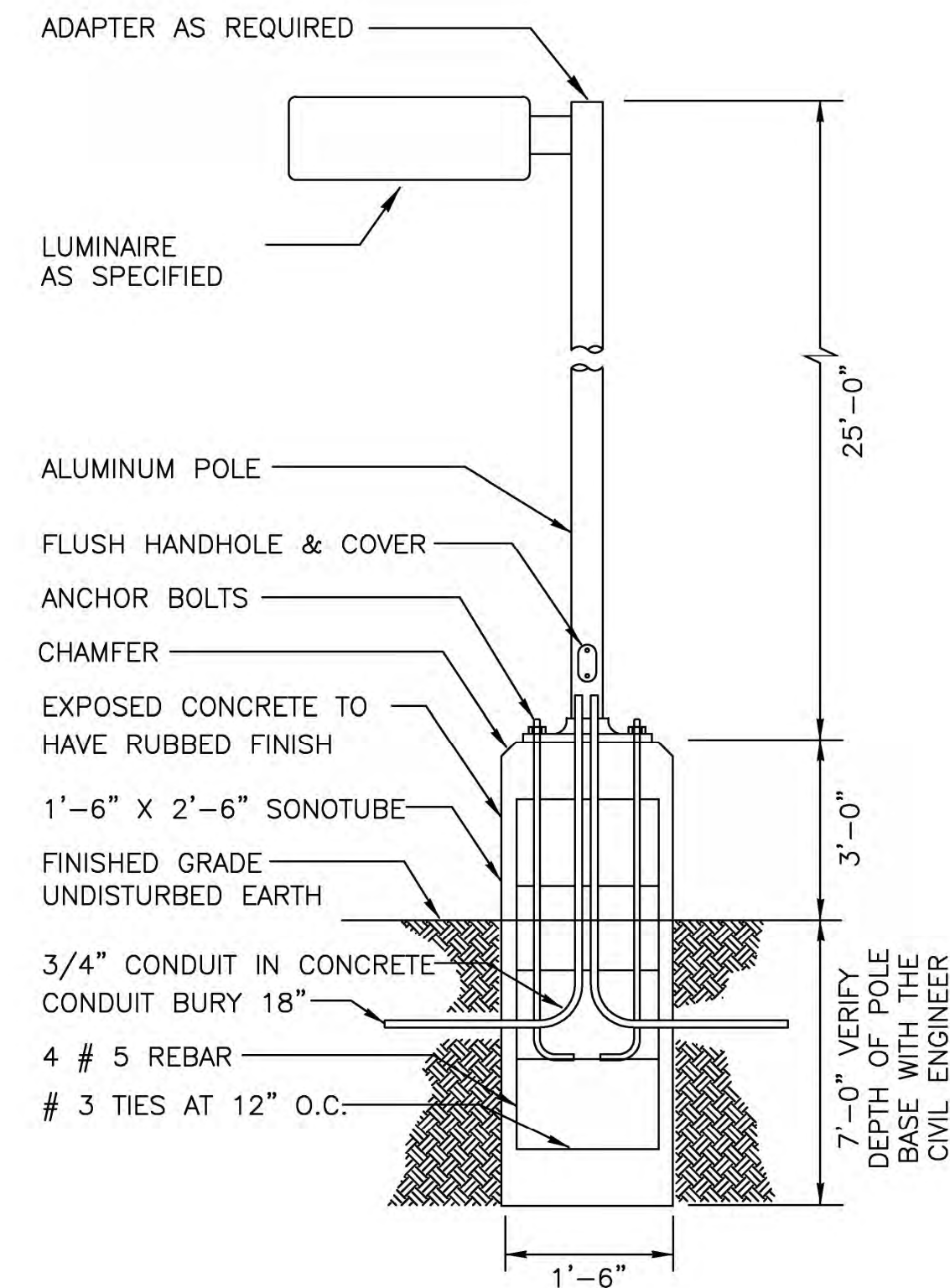


**ISO-FOOTCANDLE PLAN**

SCALE: 1/16"=1'-0"



**LIGHT POLE DETAIL**

NOT TO SCALE

**LUMINAIRE SCHEDULE NOTES:**

1. ALL POLES TO BE ORDERED SQUARE STRAIGHT STEEL DARK BRONZE, POLE SHAFT SIZE WILL BE RATED FOR WIND GUSTS OF 100 MI/HR. POLES FINISH TO MATCH LUMINAIRE FINISH, TYPICAL. REFERENCE LIGHT POLE DETAIL.
2. ELECTRICAL CONTRACTOR TO ORDER ALL REQUIRED HARDWARE FOR MOUNTING OF EACH LUMINAIRE.
3. VERIFY THE BURY DEPTH AND DIAMETER OF THE SONOTUBES FOR POLE LUMINAIRES WITH THE CIVIL ENGINEER PRIOR TO PURCHASING THE EQUIPMENT. DEPTH WILL DEPEND ON SOIL CONDITIONS. TYPICAL CONCRETE DEPTH IS 7 FT. VERIFY WITH CIVIL ENGINEER.
4. NOTIFY ENGINEER OF ANY OBSTRUCTIONS TO POLE PLACEMENT IMMEDIATELY BEFORE PROCEEDING.
5. VERIFY REQUIRED VOLTAGE OF FOR EACH LUMINAIRE WITH AVAILABLE VOLTAGES PRIOR TO ORDERING.
6. FIELD VERIFY CONTROL OF LUMINAIRES WITH ENGINEER DESIGNING LIGHTING CONTROLS PRIOR TO ORDERING. IF A LIGHTING CONTROLLER IS USED TO CONTROL LUMINAIRES AND HAS INTEGRAL PHOTOCELL CONTROL THEN LUMINAIRES WILL NOT BE ORDERED WITH PHOTOCELLS. OTHERWISE ORDER LUMINAIRE WITH PHOTOCELL OPTION. FIELD VERIFY VOLTAGE REQUIRED FOR PHOTOCELL BEFORE ORDERING.

**SITE LIGHTING PLAN**

FACILITIES AND DEVELOPMENT OF THIS SITE ARE TO BE CONSTRUCTED IN ACCORDANCE WITH CITY OF DILLON CONSTRUCTION SPECIFICATIONS AND STANDARDS. ALL LUMINAIRES TO COMPLY WITH LIGHT TRESPASS AND DARK SKY INITIATIVES PER LOCAL CITY ORDINANCES.

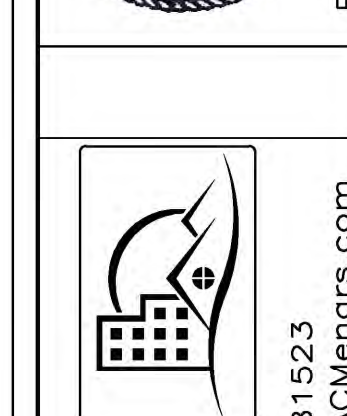
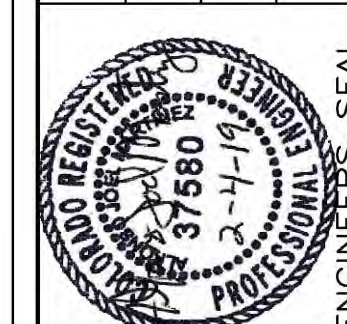
REMARKS:

APPROVED BY CITY OF DILLON ENGINEER DATE

APPROVED BY PLANNING DEPARTMENT DATE

DATE	REVISIONS

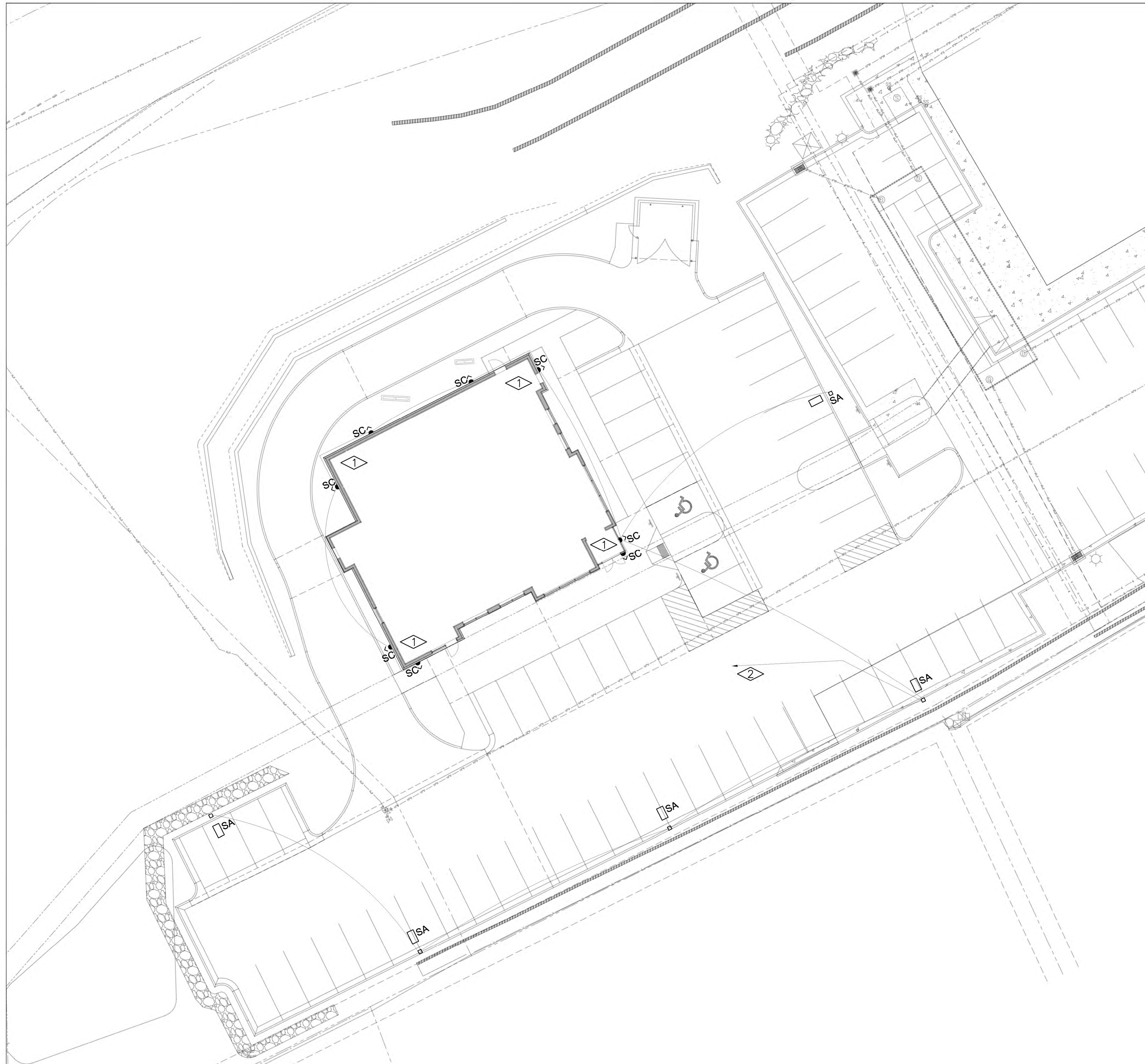
DESIGNED BY	DRAWN BY	DATE DRAWN	SCALE
AJM	AJM	2-4-19	NTS



**ACM CONSULTING**  
 ELECTRICAL DESIGN, CONSULTING  
 ENGINEERS  
 3880 S. 8.4 RD. GLADE PARK CO. 81523  
 PH: (970) 243-7292 EMAIL: joe@acmengineers.com

PANERA BREAD  
 ISO-FOOTCANDLE PLAN  
 LOTS 9R-1 AND 10R-1 OF THE RIDGES  
 DILLON, CO 81521

DRAWING NO. **ES.1**  
 1 of 3



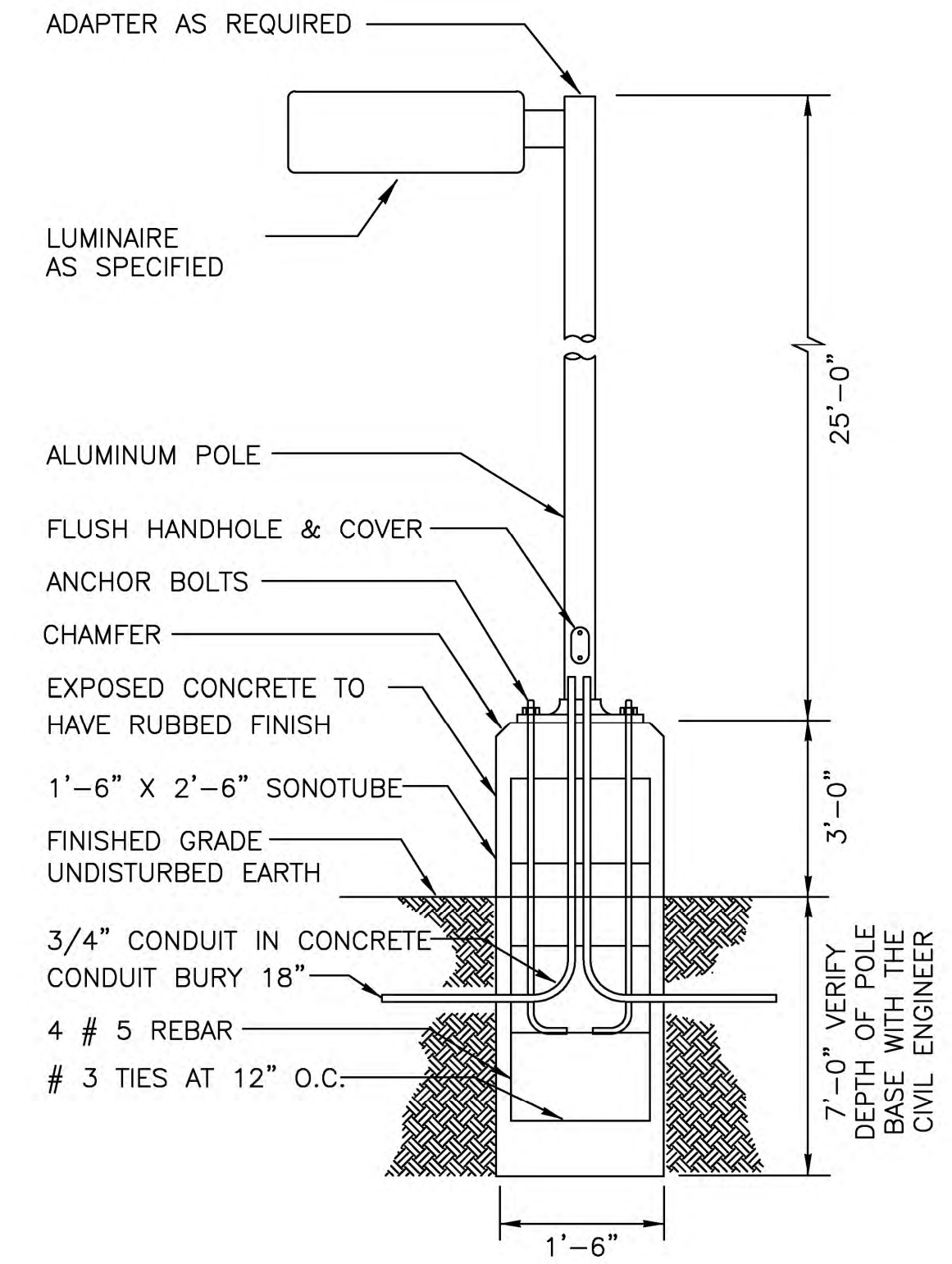
**LUMINAIRE LOCATION- SITE PLAN**

SCALE: 1/16"=1'-0"



**FLAG NOTES:**

- ① TYPE "SC" FIXTURE TO BE MOUNTED AT 10' AFG, TYPICAL. FIELD VERIFY EXACT LOCATION WITH OWNER/ARCHITECT PRIOR TO ROUGH-IN.
- ② PROVIDE 2-(#8 THWN+ #12GND), CU FEED TO EXTERIOR LIGHTING. PROVIDE 2 POLE 208 VOLT BREAKER IN NEW POWER PANEL FOR POWER TO EXTERIOR LIGHTING.



**LIGHT POLE DETAIL**

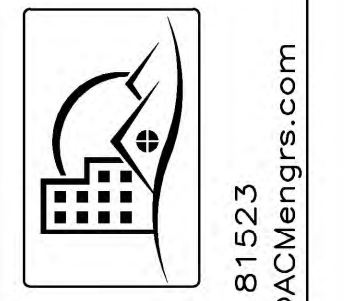
NOT TO SCALE

**LUMINAIRE SCHEDULE NOTES:**

1. ALL POLES TO BE ORDERED SQUARE STRAIGHT STEEL DARK BRONZE, POLE SHAFT SIZE WILL BE RATED FOR WIND GUSTS OF 100 MI/HR. POLES FINISH TO MATCH LUMINAIRE FINISH, TYPICAL. REFERENCE LIGHT POLE DETAIL.
2. ELECTRICAL CONTRACTOR TO ORDER ALL REQUIRED HARDWARE FOR MOUNTING OF EACH LUMINAIRE.
3. VERIFY THE BURY DEPTH AND DIAMETER OF THE SONOTUBES FOR POLE LUMINAIRES WITH THE CIVIL ENGINEER PRIOR TO PURCHASING THE EQUIPMENT. DEPTH WILL DEPEND ON SOIL CONDITIONS. TYPICAL CONCRETE DEPTH IS 7 FT. VERIFY WITH CIVIL ENGINEER.
4. NOTIFY ENGINEER OF ANY OBSTRUCTIONS TO POLE PLACEMENT IMMEDIATELY BEFORE PROCEEDING.
5. VERIFY REQUIRED VOLTAGE OF FOR EACH LUMINAIRE WITH AVAILABLE VOLTAGES PRIOR TO ORDERING.
6. FIELD VERIFY CONTROL OF LUMINAIRES WITH ENGINEER DESIGNING LIGHTING CONTROLS PRIOR TO ORDERING. IF A LIGHTING CONTROLLER IS USED TO CONTROL LUMINAIRES AND HAS INTEGRAL PHOTOCELL CONTROL THEN LUMINAIRES WILL NOT BE ORDERED WITH PHOTOCELLS. OTHERWISE ORDER LUMINAIRE WITH PHOTOCELL OPTION. FIELD VERIFY VOLTAGE REQUIRED FOR PHOTOCELL BEFORE ORDERING.

<b>SITE LIGHTING PLAN</b>		REMARKS:
FACILITIES AND DEVELOPMENT OF THIS SITE ARE TO BE CONSTRUCTED IN ACCORDANCE WITH CITY OF DILLON CONSTRUCTION SPECIFICATIONS AND STANDARDS. ALL LUMINAIRES TO COMPLY WITH LIGHT TRESPASS AND DARK SKY INITIATIVES PER LOCAL CITY ORDINANCES.		
APPROVED BY CITY OF DILLON ENGINEER		DATE
APPROVED BY PLANNING DEPARTMENT		DATE

DATE	
REVISIONS	
DESIGNED BY	AJM
DRAWN BY	AJM
DATE DRAWN	2-4-19
SCALE	NTS



**ACM CONSULTING**  
 ELECTRICAL DESIGN, CONSULTING ENGINEERS  
 3680 S. 8.4 RD. GLADE PARK CO 81523  
 PH: (970) 243-7292 EMAIL: joem@acmengr.com

PANERA BREAD  
 SITE LUMINAIRE LOCATIONS  
 LOTS 9R-1 AND 10R-1 OF THE RIDGES  
 DILLON, CO 81521

DRAWING NO.  
**ES.2**  
 2 of 3



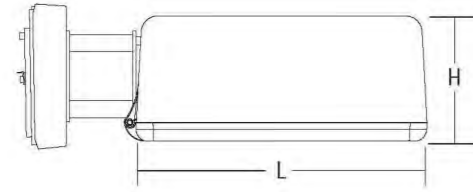
### KAD LED Area Luminaire

Catalog Number: KAD-LED-30C-700-30K-R2-MVOLT-RPUMB  
AK-RPD-PER7-HS-DDBXD

Price: SA

#### Specifications

- EPA: 1.2 ft (0.37 m)
- Length: 17-1/2" (44.5 cm)
- Width: 17-1/2" (44.5 cm)
- Height: 7-1/8" (18.1 cm)
- Weight (max): 36 lbs. (16.4 kg)



#### Capable Luminaire

This item is an A+ capable luminaire, which has been designed and tested to provide consistent color appearance and system-level interoperability.

- All configurations of this luminaire meet the Acuity Brands' specification for chromatic consistency
  - This luminaire is A+ Certified when ordered with DTL® controls marked by a shaded background. DTL DLL equipped luminaires meet the A+ specification for luminaire to photocell interoperability
  - This luminaire is part of an A+ Certified solution for ROAM2 or XPaint™ Wireless control networks, providing out-of-the-box control compatibility with simple commissioning, when ordered with drivers and control options marked by a shaded background
- To learn more about A+, Visit [www.acuitybrands.com/aplus](http://www.acuitybrands.com/aplus).
- See ordering tree for details.
  - A+ Certified Solutions for ROAM require the order of one ROAM node per luminaire. Sold Separately. [Link to Roam](#); [Link to DTL DLL](#)

A+ Capable options indicated by this color background.

#### Ordering Information

EXAMPLE: KAD LED 40C 1000 40K R5 MVOLT SPD04 DDBXD

Series	LEDs	Driver Current	CCT	Distribution	Voltage	Mounting	Shipped included	Shipped separately
KAD LED	20C 20 LEDs	530 530 mA	50K 5000K	R2 Type II	LVOLT 277V		SPD04 Square pole universal mounting adapter*	04 4" arm D401ZP Degree arm (wall)
	30C 30 LEDs	700 700 mA	40K 4000K	R3 Type III	200V 247V		RPUMB Square pole universal mounting adapter*	06 6" arm D401ZP Degree arm (wall)
	40C 40 LEDs	1000 1000 mA	50K 5000K	R4 Type IV	300V 347V		SFO Square pole	09 9" arm D401ZWB Degree arm (wall)
	60C 60 LEDs			R5 Type V	340V		RPD Round pole	12 12" arm KMA Medium external filter
							WBD Wall bracket	
							WWD Wood pole or wall	

Options	Shipped installed	Shipped separately*
PERS NEMA hand lock (see-wire rope/cable only) (see catalog 12)	PIRHCY Si-level, motion/ambient sensor, 8-10" mounting height, ambient sensor enabled at 1% (see catalog 12)	PIRHCY Part right, dim 5 ft, 280K
PER7 Sensor with microphone only (see catalog 12)	PIRHCY Si-level, motion/ambient sensor, 15-30" mounting height, ambient sensor enabled at 1% (see catalog 12)	PIRHCY Part right, dim 6 ft, 280K
SE Single face (120, 177, 247V)*	BL30 Si-level, motion/ambient sensor, 8-10" mounting height, ambient sensor enabled at 1% (see catalog 12)	PIRHCY Part right, dim 7 ft, 280K
DE Double face (120, 177, 247V)*	BL50 Si-level, motion/ambient sensor, 15-30" mounting height, ambient sensor enabled at 1% (see catalog 12)	HS Round-necked*

LITHONIA LIGHTING  
One Lithonia Way • Conyers, Georgia 30012 • Phone: 800.279.8041 • www.lithonia.com  
© 2015-2018 Acuity Brands Lighting, Inc. All rights reserved.

### McGraw-Edison

The Impact Elite family of wall luminaires is the ideal complement to site design. Incorporating modular LightSquares technology, the Impact Elite luminaire provides outstanding uniformity and energy-conscious illumination. Combined with a rugged construction, the Impact Elite luminaire is the ideal facade and security luminaire for zones surrounding schools, office complexes, apartments and recreational facilities. UL-CUL listed for wet locations.

Catalog #	ISW-AF-350-LED-E1-T3-BZ-PER7	Type	SC
Project		Date	
Comments			
Prepared by			

#### SPECIFICATION FEATURES

**Construction**  
Heavy-wall, die-cast aluminum housing and removable hinged door frame for precise tolerance control and repeatability. Hinged door inset for clean mating with housing surface and secured via two captive fasteners. Optional tamper-resistant Torx™ head fasteners offer vandal resistant access to the electrical chamber.

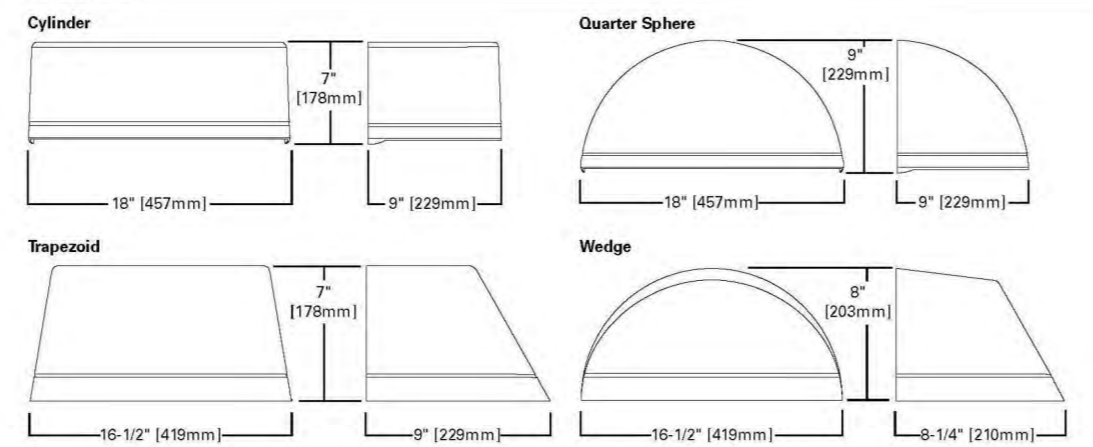
**Optics**  
Choice of 10 patented, high-efficiency AccuLED Optics™ distributions. Optics are precisely designed to shape the light output, maximizing efficiency and application spacing. AccuLED Optics technology creates consistent distributions with the scalability to meet customized application requirements. Offered Standard in 4000K (+/- 275K) CCT and minimum 70 CRI. Optional 3000K, 5000K and 5700K CCT.

**Electrical**  
LED drivers mount to die-cast aluminum back housing for optimal heat sinking, operation efficiency, and prolonged life. Standard drivers feature electronic universal voltage (120-277V/50/60Hz), 347V 60Hz or 480V 60Hz operation, greater than 0.9 power factor, less than 20% harmonic distortion, and are suitable for operation in -40°C to 40°C ambient environments. All fixtures are shipped standard with 10kV/10kA common - and differential - mode surge protection. LightSquares feature an IP66 enclosure rating and maintain greater than 90% lumen maintenance at 80,000 hours per IESNA TM-21. Emergency egress options for -20°C ambient environments and occupancy sensor available.

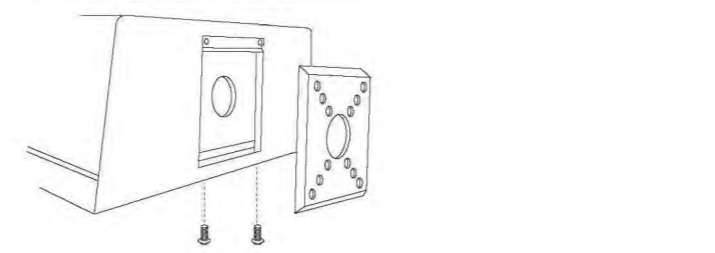
**Warranty**  
Five-year warranty.



#### DIMENSIONS



#### HOOK-N-LOCK MOUNTING



#### ISC/ISS/IST/ISW IMPACT ELITE LED

1 LightSquare Solid State LED  
WALL MOUNT LUMINAIRE

**CERTIFICATION DATA**  
ULCUL Listed  
LM79 / LM80 Compliant  
IEEE LightBuckets  
DesignLights Consortium® Qualified\*  
ISO 9001

**ENERGY DATA**  
Electronic LED Drive  
-0.9 Power Factor  
-20% Total Harmonic Distortion  
120-277V/50 & 60Hz, 347V/60Hz, 480V/60Hz  
40°C Minimum Temperature  
40°C Ambient Temperature Rating

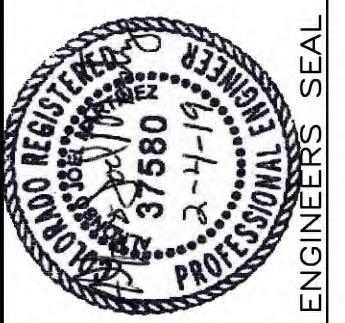
**SHIPPING DATA**  
Approximate Net Weight:  
18 lbs. (8 kg.)

TD514036EN  
January 16, 2019 9:55 AM

LUMINAIRE SCHEDULE					
TYPE	MANUFACTURER MODEL NUMBER	APPROVAL	VOLTAGE MOUNTING # OF LAMPS	BALLAST LAMPE TYPE LAMP CAT. #	DESCRIPTION
SA	LITHONIA KAD LED-30C-700-30K-R2-MVOLT-RPUMB-APR-PER7-HS-DDBXD	OWNER REQUESTED	208 POLE 1	ELECTRONIC LED 50 W	POLE MOUNTED LED AREA LUMINAIRE, CUTOFF, ORDER ROUND STEEL POLE SO THAT TOTAL LAMP HEIGHT INCLUDING BASE IS 28'AFG MEASURED AT BOTTOM OF LUMINAIRE.
SC	MCGRAW-EDISON ISW-AF-350-LED-E1-T3-BZ-PER7	OWNER REQUESTED	208 SURFACE WALL 1	ELECTRONIC LED 24.7 W	LED WALL PACK, MOUNT AT 12' AFG. COORDINATE EXACT LOCATION WITH OWNER/ARCHITECT PRIOR TO ROUGH-IN.

DATE	REVISIONS

DESIGNED BY	AJM
DRAWN BY	AJM
DATE DRAWN	2-4-19
SCALE:	NTS



ACM CONSULTING  
ELECTRICAL DESIGN, CONSULTING ENGINEERS  
3880 S. 8-4 RD. GLADE PARK CO 81523  
PH: (970) 243-7292 EMAIL: joem@acmengrs.com

PANERA BREAD LIGHTING CUT SHEETS  
LOTS 9R-1 AND 10R-1 OF THE RIDGES  
DILLON, CO 81521

DRAWING NO.  
ES.3  
3 of 3