

LED 8" COMMERCIAL RECESSED RETROFIT DOWNLIGHT
RR8 SERIES



PRODUCT DESCRIPTION:

The commercial-grade LED Recessed Downlight Retrofit is supplied with a quick connect-case and conduit to make an easy connection to an existing recessed fixture frame junction box.

FEATURES:

- Universal voltage (120-277)
- Mounts into existing recessed frame
- Supplied with optional retaining clips if existing frame does not have adequate friction springs to secure reflector
- cETL listed for damp location use
- CRI: > 80
- PF: >.9
- A wide variety of CCTs available: 3000K and 4000K come standard; 2700K and 5000K by special order
- Five year limited warranty
- Dimmable to 5% (120v only)

CONSTRUCTION:

- Supplied with a heavy gauge anodized aluminum reflector in a haze finish
- External driver for easy retrofit and maintenance
- Power supply features integral thermal protection
- Optional extended trim rings available to conceal imperfections in drywall openings



Scan the QR code with a smartphone to view the installation video or visit the following link: <http://bit.ly/ledcrdr>

MODEL SELECTION (Full list of order codes on pg. 2)		Typical order example: RR82330W		
RR	8			W
FAMILY	SIZE	WATTAGE (NOMINAL)	CCT	TRIM
RR= Commercial Recessed Retrofit Downlight	8= 8"	15= 15W 23= 23W 30= 30W	27= 2700K 30= 3000K 40= 4000K	W= White

ACCESSORIES			
ORDER CODE	MODEL NUMBER	DESCRIPTION	ACCESSORIES IMAGE
72821	RR8-XWHTRING	8" White trim ring	
74088	RR8-BNRING	8" Brushed nickel trim ring	

COMPATIBLE DIMMERS:

MAKE	DIMMER MODEL
Lutron	CTCL-153PD*
Lutron	DVCL-153PL*
Lutron	CTELV-303P
Lutron	LGCL-153PL*
Leviton	IPI10

* Dimming control should be adjusted to 5% minimum light output level in order to avoid flickering. Please consult dimming control Instruction manual for specific procedure.

SPECIFICATIONS:

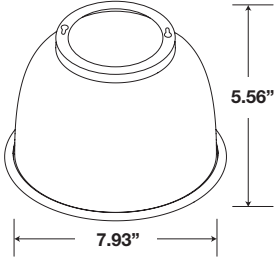
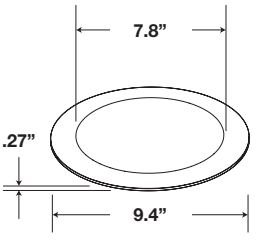
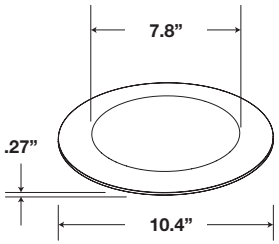
ITEM	SPECIFICATION	RR81530W	RR81540W	RR81527W	RR82330W	RR82340W	RR83030W	RR83040W
		DETAILS			DETAILS		DETAILS	
GENERAL PERFORMANCE	Power Consumption (W)	14.0	14.0	17.0	23.0	23.0	30.0	30.0
	Lumens Delivered (lm)	875	920	1080	1670	1750	2220	2510
	Efficacy (lm/W)	63	66	65	73	76	74	84
	Color Temperature	3000K	4000K	2700K	3000K	4000K	3000K	4000K
	L70 Lifetime (hours)	50,000						
	CRI	> 80						
	Color Consistency	Proprietary binning for uniform color						
ELECTRICAL	Power Factor	.90						
	Input Voltage	120-277V standard						
	Compatible Dimmers	Lutron CTCL-153PD, DVCL-153PL, CTELV-303P, DVELV-303P, LGCL-153PL; Leviton IPI10						
PHYSICAL	Weight	2.25 lbs						
	Mounting	Mounts into existing recessed frame						
	Operating Temperature	0° – 104° F						
	Humidity	20% - 85% RH, non-condensing						
CERTIFICATION	Certification	FCC, LM-79, LM-80, ETL						
	Material Usage	RoHS compliant; no mercury						
	Environment	Indoor						
	Warranty	5 years						

ORDERING*:

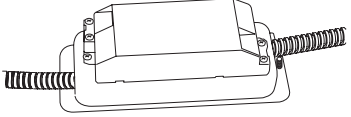
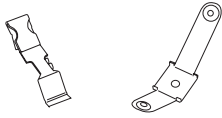
ORDER CODE	MODEL	WATTAGE	CCT	VOLTAGE
73571	RR81530W	15	3000K	120-277V
73572	RR81540W	15	4000K	
76889	RR81527W	17	2700K	
74035	RR82330W	23	3000K	
74036	RR82340W	23	4000K	
74037	RR83030W	30	3000K	
74038	RR83040W	30	4000K	

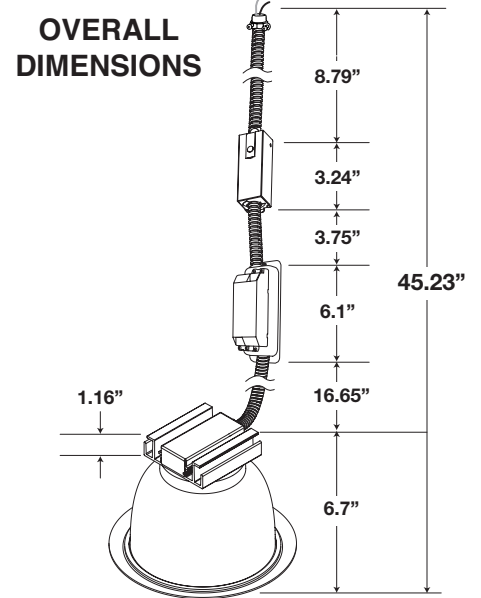
*Please contact your MaxLite representative to order products that don't have order codes listed here.

PRODUCT FEATURES:

REFLECTOR	STANDARD TRIM RING	OPTIONAL EXTENDED TRIM RING
		<p>SOLD SEPARATELY</p> 

PRODUCT FEATURES

EXTERNAL DRIVER	RETAINING CLIPS
	 <p>Retaining clips are supplied for situations where the existing recessed frame does not have pre-installed clips to secure the reflector.</p>



FLD-OL-40-D2/4/8

Cree OL Series™ Flood Luminaire – 40° Flood Optic – Direct Rotatable 2', 4', or 8'

Product Description

Slim low profile design. Luminaire is constructed from rugged die cast aluminum housing and die cast end caps for superior heat dissipation and durability. Integral weather-tight LED driver compartment and high performance aluminum heat sinks. Rugged die cast mounting pads provide for solid and secure luminaire mounting. Optional field adjustable extruded mounting arms to space luminaire up to 18" (457mm) away from the mounting surface. Luminaire body is rotatable 360° in 5° increments for proper aiming and uniform illumination. Rotation is clearly marked with index marks on end caps.

Performance Summary

Patented NanoOptic® Product Technology

Made in the U.S.A. of U.S. and imported parts

CRI: Minimum 70 CRI

CCT: 5700K (+ / - 500K) Standard, 4000K (+ / - 100K), 3500K (+ / - 100K)

Limited Warranty†: 10 years on luminaire / 10 years on Colorfast DeltaGuard® finish

Accessories

Field Installed Accessories

9" (229mm) Extension Arm

Spaces luminaire center 9" (229mm) away from the mounting surface

XA-XFR9SV

XA-XFR9WH

XA-XFR9BK

XA-XFR9PB

XA-XFR9BZ

18" (457mm) Extension Arm

Spaces luminaire center 18" (457mm) away from the mounting surface

XA-XFR18SV

XA-XFR18WH

XA-XFR18BK

XA-XFR18PB

XA-XFR18BZ

12" (305mm) Extension Arm

Spaces luminaire center 12" (305mm) away from the mounting surface

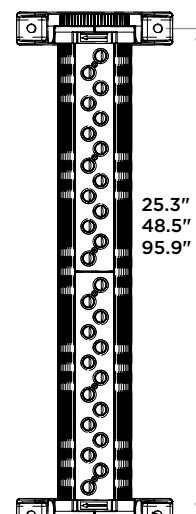
XA-XFR12SV

XA-XFR12WH

XA-XFR12BK

XA-XFR12PB

XA-XFR12BZ

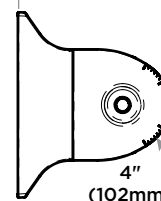


25.3" (0.64mm) for 2'
48.5" (1.2mm) for 4'
95.9" (2.4mm) for 8'

6.5" (165mm)

0.4 Mounting Holes (4 Places) for Customer Supplied 3/8" (9.2mm) Mounting Bolts

6.5" (165mm)



4" (102mm)

Ordering Information

Example: FLD-OL-40-D2-07-D-UL-SV-350-OPTIONS

FLD-OL	40			D				
Product	Optic	Mounting	LED Count (x10)	Version	Voltage	Color Options	Drive Current	Options
FLD-OL	40 40° Flood	D2* D4* D8*	07 14	D	UL Universal 120-277V UH Universal 347-480V	SV Silver (Standard) BK Black BZ Bronze WH White	350 350mA 525 525mA 700 700mA	40K 4000K Color Temperature - Color temperature per light bar; minimum 80 CRI 35K 3500L Color Temperature - Color temperature per light bar; minimum 80 CRI DIM 0-10V Dimming - Control by others - Refer to dimming spec sheet for details - Can't exceed specified drive current

† See www.cree.com/lighting/products/warranty for warranty terms

* D = Direct Rotatable; 2 = 2' (.6m); 4 = 4' (1.2m); 8 = 8' (2.4m)



Rev. Date: 06/19/2014





Catalog Number:	
Project:	
Comments:	
Prepared By:	Date:

Technical Specifications

Input Voltage: 120-277V or 347-480V

Housing: Die cast aluminum housing with hinged full cutoff front frame and textured architectural bronze powder coat finish over a chromate conversion coating. 1/2" coin plugs with O-rings for conduit & photocell installation.

Lens: Tempered Clear Glass Lens.

Mounting: Cast-in template for mounting directly over a 4" recessed outlet box, or use 1/2" surface conduit.

Effective Projected Area (EPA): 0.72 ft²

Color Temperature: 2700K WW, 4000K NW (standard), 5000K CW. All LED's are rated for a minimum of 100,000 hours of continuous operation at ambient temperatures from -40°F/-40°C to 95°F/35°C.

Color Rendering Index (CRI): Minimum of 70 or higher.

Dimming: 0-10V standard dimming capability.

Surge Protection: A 20kA surge suppressor is included and complies with IEEE/ANSI C62.41.2 guidelines for "C High." Surge location rated Category C3.

Lumecon ETD System: The enhanced thermal dissipation system engines are thermally bonded to provide maximum thermal dissipation to the exterior of the fixture to ensure long life. To protect the light engine panel from moisture and corrosion, the LED light engine panel is uniformly coated with a UV stabilized acrylic polymer resin that meets MIL and ASTM dielectric standards, UL, and IPC standards for flammability, moisture resistance and thermal shock.

Battery Back-Up (Optional): When triggered into emergency mode, the BBU operates the LEDs for a code-compliant 90 minutes. When AC power is restored, the driver automatically returns to charging mode. The BBU is a UL recognized component and meets all applicable safety standards.

Certification Data: ETL Listed to UL 1598, UL 8750 and CSA 22.2 No. 250 for Wet Locations. *Full compliance and test documentation is available for TM-21, LM-79, LM-80, ETL Listing to UL1598 and UL 8750, Lighting Facts and DLC®.

DesignLights Consortium® (DLC) Qualified Product: Unless noted, not all versions of this product may be DLC® qualified. For a complete list of Lumecon DLC Qualified Products visit: www.designlights.org.

Occupancy Sensor (Optional): Microwave sensor technology rated for -40°F to 130°F. Available in on/off and dim/high functionality.

Manufacturing Origin: US Manufactured and Assembled.

Buy American: Meets Buy American requirements within the ARRA.

Warranty: 10 Year L70 performance based warranty. For full warranty terms, please visit our website: www.lumecon.com

Description



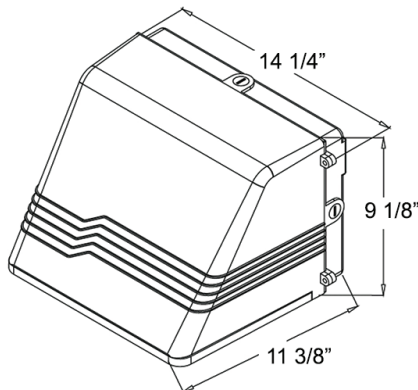
The LWP-FC is a dark skies compliant, full cut-off wall pack. The LWP-FC can replace up to a 250W HID one-for-one making it a perfect fixture for building facades, general security, storage areas, and entry door applications.

Performance Data

Model	Watts	Equiv	Delivered Lumens	Efficacy
LWP-FC-25	23W	175W HID	2,308 Lm	101 LPW
LWP-FC-60	56W	250W HID	5,534 Lm	98 LPW

Dimensions & Weights

Model	Width	Height	Depth	Weight
LWP-FC	14 1/4"	9 1/8"	11 3/8"	12.05 lbs.



NATIONAL ASSOCIATION OF ELECTRICAL DISTRIBUTORS

10/23/2012

EY1

Decorative Outdoor LED Emergency Light

Illumination

- Long-life, efficient ultra-bright white LED.
- Mirror-bright reflector and pismatic polycarbonate refractor.

Electrical

- Dual 120V/277V voltage
- Charge rate/power "ON" LED indicator light and push-to-test switch for mandated code compliance testing
- Long-life, maintenance-free, rechargeable Ni-Cd battery
- Internal solid-state transfer switch automatically connects the internal battery to LED board for minimum **90-minute emergency illumination**
- Fully automatic solid-state, two-rate charger initiates battery charging to recharge a discharged battery in 24 hours
- Self-diagnostic test feature continually diagnoses units' performance and tests system to ensure reliable operation, and to meet electrical and life safety codes

Mounting

- Surface mount via easy connect back plate, which fits most standard junction boxes
- Conduit mount via rigid entry provision on top of the unit

Housing

- Decorative, low-profile, architectural design
- Die-cast aluminum housing
- Durable powder-coated finishes in white, black and dark bronze
- Sealed and gasketed

Project:	
Catalog#:	
Approved by:	



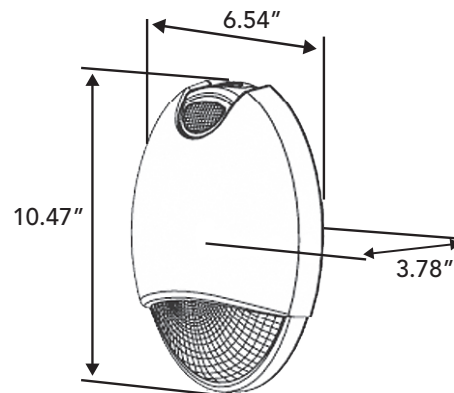
Certifications

- Meets UL924, NFPA101 Life Safety Code, NEC, OSHA, Local and State Codes
- **UL Listed for wet locations**

Options

- CW: Cold-weather unit for use in freezer applications (in temperatures as low as -4°F/20°C standard)

Dimensions



ORDERING INFORMATION

Model Family	Housing Color	Options
HLDBEL	B - Black W - White BR - Dark Bronze	CW - Cold Weather
example model# HLDBELB		

Specifications subject to change without notice.



DESCRIPTION

The Ridgeview™ LED area luminaire is the compact, efficient, economical approach to LED area lighting. A pure blend of traditional form and LED efficiency; the Ridgeview luminaire provides functional, low-profile design with excellent operating performance. Patented modular LightBAR™ technology delivers uniform and energy-efficient illumination to parking lots and perimeter security lighting applications.

Catalog #		Type
Project		
Comments		Date
Prepared by		

SPECIFICATION FEATURES

Construction

Rugged one-piece, die-cast aluminum housing secures the thermally conductive LED panel and electrical chamber. Low profile, 3G vibration rated compact design minimizes wind load requirements. Extruded aluminum frame secured with stainless steel hardware confines the LightBAR panel to the thermally conductive housing. The unique glide bracket LightBAR panel allows for easy access to the electrical chamber.

Optics

Choice of twelve patented, high-efficiency AccuLED Optic™ technology. Optics are precisely designed to shape the light output, maximizing efficiency and application spacing. AccuLED Optic technology, creates consistent distributions with the scalability to meet customized application requirements. Offered standard in 4000K (+/- 275K) CCT and minimum 70 CRI. Optional 3000K CCT, 5000K CCT and 5700K CCT. For the ultimate level of spill light control, an optional house-side shield accessory can be field or factory installed. The house-side shield is designed to seamlessly integrate with the SL2, SL3 or SL4 optics.

Electrical

LED drivers mount to die-cast aluminum back housing for optimal heat sinking, operation efficacy, and prolonged life. Standard drivers feature electronic universal voltage (120-277V 50/60Hz), 347V 60Hz or 480V 60Hz operation, greater than 0.9 power factor, less than 20% harmonic distortion, and is suitable for operation in -40°C to 40°C ambient environments. All fixtures are shipped standard with 10kV/10kA common – and differential – mode surge protection. LightBARs feature and IP66 enclosure rating and maintain greater than 95% lumen maintenance at 60,000 hours per IESNA TM-21. Occupancy sensor and dimming options available.

Mounting

Cast aluminum 6" arm includes bolt guides allowing for easy position of the fixture during installation to pole. Standard single carton packaging of housing, square pole arm and round pole adapter provide contractor-friendly installation. Wall mount models feature a cast aluminum arm that is directly mounted to a 4" supplied wall plate secured with set screws.

Finish

Components finished in a five-stage super TGIC polyester powder coat paint, 2.5 mil nominal thickness for superior protection against fade and wear. Standard color is bronze. Optional colors include black, grey, white, dark platinum and graphite metallic. RAL and custom color matches available.

Warranty

Five-year warranty.



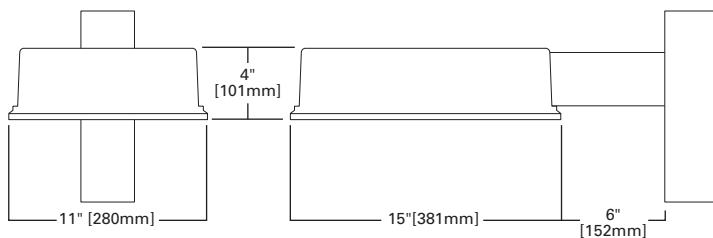
RV RIDGEVIEW

1 - 4 LightBARs
Solid State LED

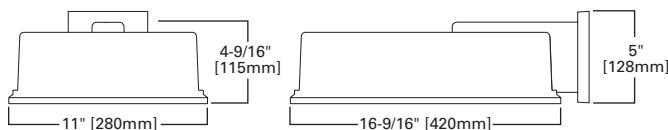
AREA LUMINAIRE

DIMENSIONS

POLE MOUNT



WALL MOUNT



CERTIFICATIONS

UL/cUL Listed
LM79 / LM80 Compliant
3G Vibration Rated
IP65 Fixture Rating
IP66 LightBARs
ISO 9001

ENERGY DATA

Electronic LED Driver
>0.9 Power Factor
<20% Total Harmonic Distortion
120-277V/50 & 60Hz, 347V/60Hz, 480V/60Hz
-40°C Minimum Temperature
40°C Ambient Temperature Rating
50°C (Optional) Ambient Temperature Rating

EPA

Effective Projected Area: (Sq. Ft.)
Without Arm: 0.48
With Arm: 0.67

SHIPPING DATA

Approximate Net Weight:
12.5 lbs. (5.8 kgs.)